



The New High-Tech Component Ornamental Fence System

02825/XCE
BuyLine 5314

TM
Innovation

www.xcel-usa.com

- RESIDENTIAL
- COMMERCIAL
- INDUSTRIAL



- NO WELDING
- NO PAINTING
- MAINTENANCE FREE
- COMPACT DESIGN
- FAST AND EASY ASSEMBLY
- PATENTED TECHNOLOGY
- ISO 9001 RELIABILITY
- RECOMMENDED BY THE 2008 OLYMPIC COMMITTEE

Founded in 1990, XCEL emerges into a leading manufacturer and supplier of fence products.

Our component ornamental fence system, Innovation™, utilizes our patented SecureSnap™ in each picket that allows the fence to assemble together quickly and easily. In addition to this unique design, we use an advanced 12-stage surface treatment including a computerized powder coating line in our own ISO 9001 certified facility. Our products are virtually maintenance free and backed with 10 year limited warranty.

XCEL manufactures high quality galvanized and powder coated chain-link fence fittings at a very competitive price.

We have distribution networks throughout North America and Europe.

Innovation™ means Less Cost to Property Owner & More Profit for Contractor

XCEL Fence, 1931 Yeager Avenue, La Verne, CA 91750 • Tel. 909-392-0808 Fax 909-392-0999
Toll Free: 866-392-0808 • E-mail: info@xcel-usa.com • www.xcel-usa.com

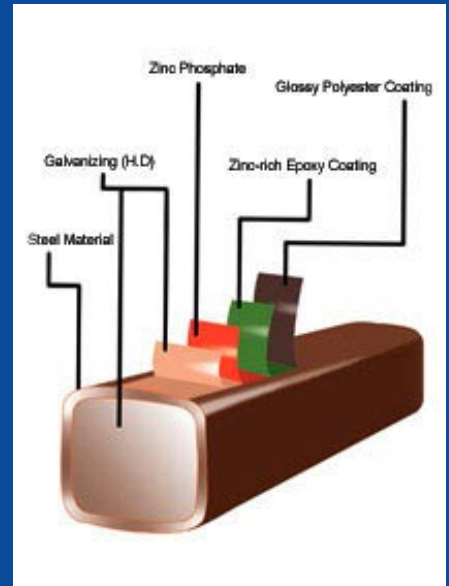
INNOVATION™

XCEL FENCE PRESENTS INNOVATION™, the New High-Tech Component Ornamental Fence System. Innovation™ utilizes our patented SecureSnap™ in each picket that allow the fence to assemble together easily and quickly. The component compact design is easy for storage and transportation and adds high value for retail space.

All components are galvanized inside and out, then coated through a 12-stage surface treatment in our own ISO 9001 certified facilities in China. The products are highly resistant to corrosion, humidity, salt, color fade, blisters & UV aging, and backed by 10 year limited warranty.

XCEL Innovation™ combines unique design with advanced surface treatment technology and requires NO WELDING, NO PAINTING and virtually maintenance free. 30 styles available with Residential, Commercial and Industrial grades offer many varieties to meet customer's needs. XCEL provides professionals with XCEL computer design software, free of charge.

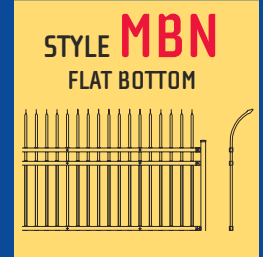
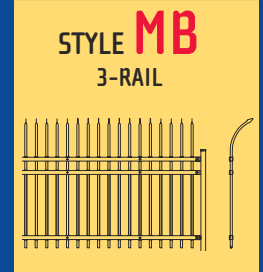
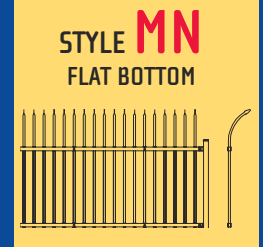
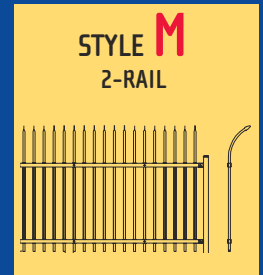
Since 1990, XCEL has been providing high quality products at competitive prices to our customers from our California office. Our distributors are located throughout North America.



STYLES

	STYLE A 2-RAIL	STYLE B 3-RAIL	STYLE C 3-RAIL WITH RINGS	STYLE D 4-RAIL WITH RINGS
N SMASH POINT FLAT BOTTOM				
K PICKET TOP FLAT BOTTOM				
T FLAT TOP & BOTTOM				
F FLAT TOP PICKET BOTTOM				
S SMASH POINT PICKET BOTTOM				
P PICKET TOP & BOTTOM				

ALSO AVAILABLE:

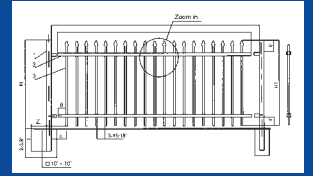


	Post	Rail	Picket	Load Capacity	Post Spacing - 6' OC	Post Spacing - 8' OC
RESIDENTIAL	2" x 16 Gauge	1 3/8" x 1 1/16" 18 Gauge	5/8" x 18 Gauge	250 lbs.	72" +/- 1/2"	96" +/- 1/2"
COMMERCIAL	2 1/2" x 12 Gauge	1 3/4" x 2" 14 Gauge	3/4" x 16 Gauge	400 lbs.	76 1/2" +/- 1/2"	96 1/2" +/- 1/2"
INDUSTRIAL	2 1/2" x 12 Gauge	1 3/4" x 2" 14 Gauge	1" x 14 Gauge	600 lbs.	76 1/2" +/- 1/2"	96 1/2" +/- 1/2"



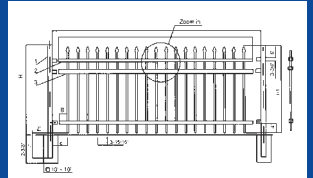
MODEL: A

Simple and economical fence engineered for commercial or residential applications, these high quality products provides the level of durability and security required by a commercial business or property owner.



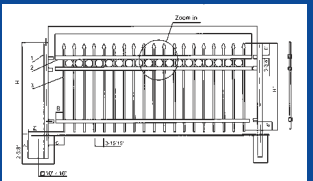
MODEL: B

Functional and decorative, engineered for residential applications, this fence system provides the level of quality and durability a homeowner requires.



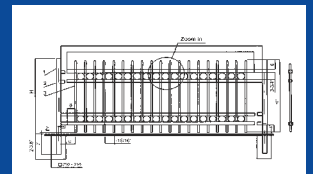
MODEL: C

Luxury fence system will bring a combination of aesthetic elegance and security to high-class gated community and real estate property as well.



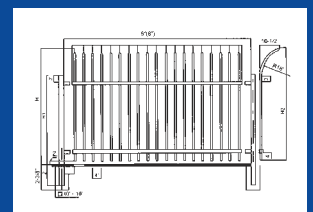
MODEL: D

This luxury fence system with artistic designs, styled with a sense of classic nature, is ideal to match with modern buildings.



MODEL: M

Engineered for industrial or commercial applications, this fence product is ideal to match with airport, stadium, warehouse, etc.



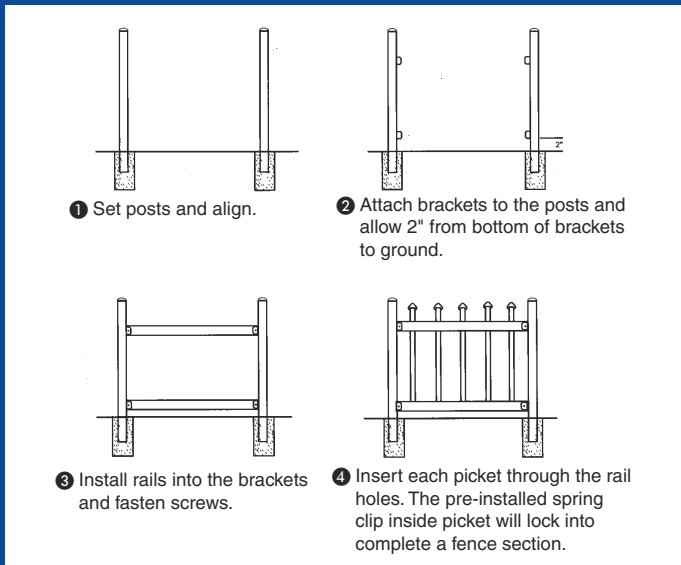
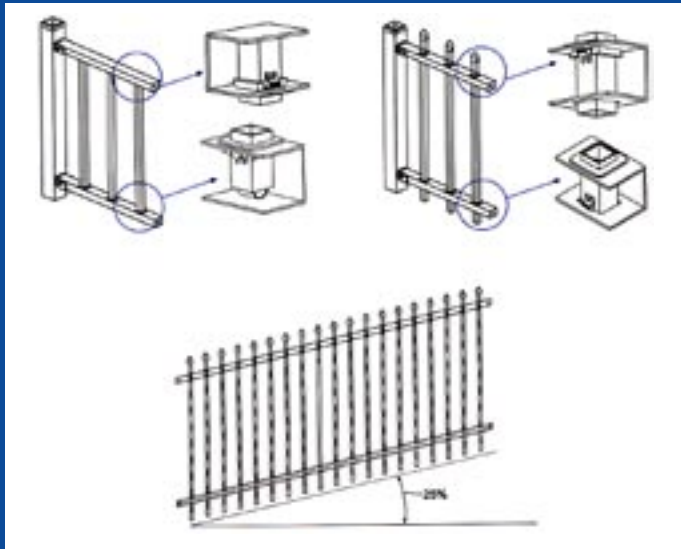
Useful CAD details are available for download at our website www.xcel-usa.com

www.xcel-usa.com



866-392-0808

ASSEMBLY



COLORS

NOTE: Custom available upon request



Actual fence sizes are designed to suit a variety of applications. Sizes vary from 3' to 10' high and 6' to 8' wide! Security fencing is also available with your choice of either medium or large curve. (Style M).

INNOVATION SPECIFICATIONS

1.01 Scope

This specification covers construction and materials requirements for component ornamental picket fence and gates.

2.01 Manufacturer:

XCEL Distribution, Inc., 1931 Yeager Ave., La Verne, CA 91750
Phone (909) 392-0808.

3.01 Material:

A. The tubing for fence framework (i.e., pickets, rails and posts) shall be manufactured from coil steel having a tensile strength of 58,000 psi and a minimum yield strength of 50,000 psi.

- The steel shall be galvanized to meet the requirements of ASTM A-787 with a minimum zinc coating weight of .90 oz. per square foot. (G90)
- The galvanized framework shall receive a six stage pre-treatment and wash. This will be followed by the application of a two coat powder system that is applied electrostatically. The first coat is a zinc rich epoxy coating and a TGIC polyester top coat. Both coatings have a minimum thickness of 2-4 mils. All components can withstand a salt spray test of 3500 hours (ASTM B117) without any adhesion loss.

B. Material for fence pickets shall be " square x " Ga. tubing. The cross-sectional shape of the rails shall conform to the manufacturer's, with outside design cross-section dimensions of " and a minimum thickness of " Ga. Post spacing shall be either " for 6' o.c. nominal or " for 8' o.c. nominal with " square posts. PVC grommets shall be supplied to seal the top of all picket-to-rail intersections.

3.02 Fence Sections:

A. Panel sections may be shipped to the project site prefabricated or knocked down to be assembled after delivery. Sections are to be 6' or 8' overall length, heights of 4', 5', 6', 7', and 8' with 2, 3, or 4 rails per panel, per job specifications

B. Pickets:

Pickets shall be square tubular steel as indicated on the plans on

the job specifications:

Picket Size Gauge " sq. " Ga.

C. Rails:

Rails shall be " tube " gauge steel with square holes punched to allow pickets to pass through.

D. Color

The color shall be black, white, green, or desert sand. (Special colors available on request; please contact our sales department for additional information.)

3.03 Line and Corner Posts:

A. Shall be " square tubular steel " gauge.

4.00 Fabrication

A. Pickets, rails and posts shall be pre-cut to specified lengths. Rails shall be pre-punched to accept pickets.

B. Pickets will be inserted into pre-punched holes allowing for preinstalled grommets on the top of each rail. Engage top spring clip in picket into the highest top rail and push bottom picket spring clip into bottom rail.

C. All panels shall be able to support a lb. load in the middle of the panel without suffering permanent deflection.

D. Panel will be 25% biasable (with the exception of ring style panels).

E. Innovation panel material will be used for the gates along with gate corners. The rails are " tube " gauge and the pickets are " square tube " gauge. Each picket and rails system shall be fitted together using the spring clip.

5.00 Installation

A. The material shall be inspected by the contractor after receiving it at the site.

B. Post shall be set at either " o.c. or " o.c. spacing depending on material ordered. The gate posts are set per plans and specifications.

C. Panel sections are attached to the post with Innovation brackets supplied by the manufacturer.

6.01 Warranty:

XCEL Distribution, Inc. Warrants this product for a period of 10 years. See actual warranty for specific details.

FITTINGS

The following is a partial list of the types of Chain Link Fence Fittings that XCEL Distribution, Inc. supplies:

Malleable Iron:

Post Caps, Loop Caps, Rail Ends, Barb Bases, Offset Hinges, Box Hinges, Gate Hinges, Cartilever Rollers, Folk Latches, Corner Arms.

Pressed Steel:

Post Caps, Eye Topps, Rail Ends, One piece Barb Arms, Corner Arms, Corner Clamps, 180 Hinges, Box Hinges, Gate Hinges, Fork Latches, Gate Clips, Overhead Trolleys.

Roller Gate Parts:

Track Brackets, Pipe Track Wheels, Double Wheel Carriers.

Miscellaneous:

Tension Bars, Carriage Bolts/Nuts, Lag Screws, J. Hinge Bolts.



XCEL Fence

1931 Yeager Avenue, La Verne, CA 91750

Tel. 909-392-0808 Fax 909-392-0999

Toll Free: 866-392-0808

E-mail: info@xcel-usa.com • www.xcel-usa.com

